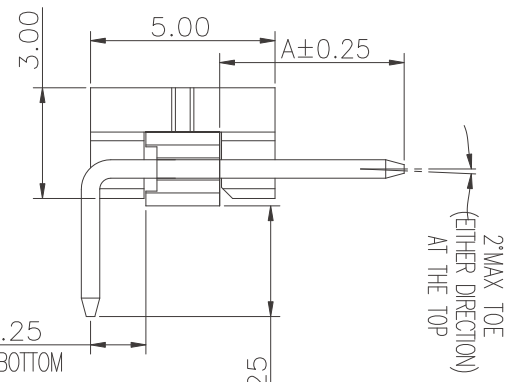
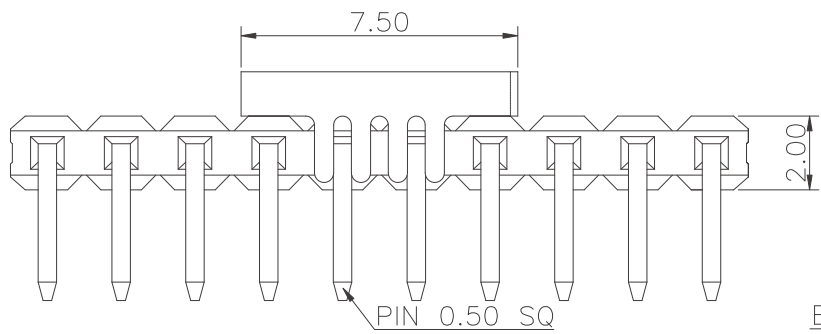


**Specifications**  
 Current Rating: 2.0Amp  
 Insulation Resistance: 1000MΩMin.  
 Dielectric Withstanding Voltage: 500VAC  
 Contact Resistance: 20mΩMax.  
 Operating Temperature: -40°C to +105°C  
**Materials**  
 Contact Material:  
 Brass (Pin length less than 25mm)  
 Phosphor Bronze (The total length of pin is more than 25mm)  
 Insulator Material:  
 PBT (Not resistant to high temperature),  
 Nylon (High temperature resistance),  
 LCP (High temperature resistance),  
 UL 94V-0  
 All materials must meet Greenconn hazardous substances control standards.



No. of PIN/ROW	Dimension Information	
	M	L
01	/	2.00
02	2.00	4.00
03	4.00	6.00
04	6.00	8.00
05	8.00	10.00
06	10.00	12.00
07	12.00	14.00
08	14.00	16.00
09	16.00	18.00
10	18.00	20.00
11	20.00	22.00
12	22.00	24.00
13	24.00	26.00
14	26.00	28.00
15	28.00	30.00
16	30.00	32.00
17	32.00	34.00
18	34.00	36.00
19	36.00	38.00
20	38.00	40.00
21	40.00	42.00
22	42.00	44.00
23	44.00	46.00
24	46.00	48.00
25	48.00	50.00
26	50.00	52.00
27	52.00	54.00
28	54.00	56.00
29	56.00	58.00
30	58.00	60.00
31	60.00	62.00
32	62.00	64.00
33	64.00	66.00
34	66.00	68.00
35	68.00	70.00
36	70.00	72.00
37	72.00	74.00
38	74.00	76.00
39	76.00	78.00
40	78.00	80.00

### Ordering Information

**G PFB1XX - XX XX A XXX C**

**Plastic specifications**  
 1=Single row  
 2=Dual row  
 3=Tripe row  
 4=Quadruple

**Water code**  
 01:H=2.00  
 02:H=1.50

**No. of Pins per Row**  
 01~40

**Positioning column information**  
 A=No locating post  
 B=Round post  
 C=Square post

**Plating code**  
 01=Tin  
 02=Gold Flash  
 05=Gold Flash/Tin  
 22=Matte Tin

**Pin length**  
 See the drawing

**Insulator Material**  
 A=PBT  
 R=Nylon(Halogen Free)  
 C=LCP

**Recommended P.C.Board Layout**  
 (Tolerance: ±0.05)

**Color**  
 1=Black  
 2=White  
 3=Yellow  
 E=Beige

**Contact Material**  
 A/S/K/T=Phosphor Bronze  
 B/Z/H/W=Brass

**Packing code**  
 A=Box  
 B=Tray  
 C=Tube  
 D=Tape&Reel  
 E=Cap+Tube  
 F=Cap+Tape&Reel  
 G=Acetate Tape+Tube  
 H=Acetate Tape+Tape&Reel

<b>赣州市创盟电子科技有限公司</b>					<b>GENERAL TOLERANCE</b>		<b>DWG. NO.</b> GPFB1XX-CAXX	<b>TITLE.</b> 2.00 PIN HEADER SINGLE ROW R/A TYPE CONNECTOR
					X.°±5.0°	X.±0.30		
REV.	UNIT.	SCALE.	PAGE.		.X°±3.0°	.X±0.25		
01	mm	5:1	1/1		.XX°±2.0°	.XX±0.15		
					.XXX°±1.0°	.XXX±0.10		